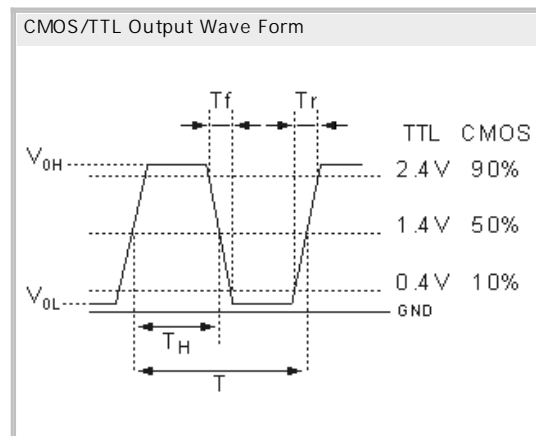
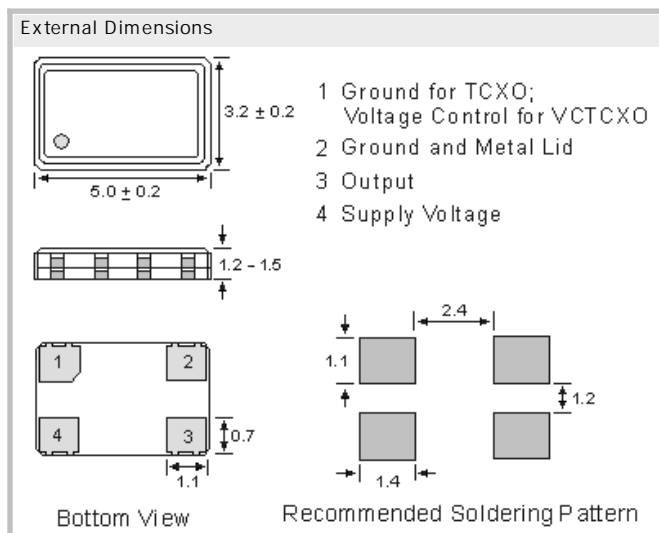


TCXO-Oscillator SMD TCXO5032T5 5.0V CMOS kHz range

- Temperature Compensated Crystal Oscillators
- SMD in ceramic case (5.0 x 3.2 x 1.5) mm
- CMOS Square Wave Output; Wave form code is " T "
- on Tape & Reel
- RoHS conform; Lead-free product



Specifications

Holder Type:	TCXO5032T5 5.0V (Voltage code is " 5 ")
Frequency Range:	20.0 kHz to 52.7kHz, 32.768kHz
Input Voltage:	+ 5.0V \pm 10%
Standard Frequencies (Part list):	32.768 kHz
Frequency Stability:	\pm 0.5ppm to \pm 3.0ppm
Freq. Stability vs Temperature:	0° to 50°C (\pm 0.5ppm) to -40 to +85°C (\pm 1.0 to \pm 3.0ppm)
Freq. Stability vs Aging:	\pm 1.0 ppm, first year at 25 °C
Freq. Stability vs Voltage Change:	\pm 0.3 ppm, for a \pm 5% input voltage change
Freq. Stability vs Load Change:	\pm 0.3 ppm, for a \pm 10% load condition change
Current Consumption:	8.0 mA (max.) for 32,768Khz at + 3.3V 12.0 mA (max.) for 50.0Khz at + 3.3V
Output Load:	15pF
Output Logic Levels:	Logic High "1" : 90% Vdd min. (HCMOS) Logic Low "1" : 10% Vdd min. (HCMOS)
Output Symmetry (Duty Cycle):	50% \pm 5%
Rise/Fall Time CMOS:	10.0ns max. Measured between 20% and 80% Vdd) of the wave form (CL = 15pF)
Start Up Time:	10 ms (max.); 5ms (typ.)
Storage Temperature:	-40 to+ 85°C, -55 to + 125°C
Reflow Condition:	260°C max. for 10 sec.

GERMANY:

COMTEC CRYSTALS GmbH · Sultenstrasse 12-14
8 5 5 8 6 P o i n g / G E R M A N Y
Phone +49 8121 778160 · Fax +49 8121 778177
e-Mail info@comtec-crystals.com
Internet: <http://www.comtec-crystals.com>
Subject to change without prior notice.



Technical Data and Graphics are all under
Copyright (c) of Comtec Crystals Group.

FRANCE:

COMTEC CRYSTALS SARL · 23, rue du Faucon
6 7 5 0 0 H a g u e n a u / F R A N C E
Phone +33 388 732162 · Fax +33 388 730118
e-Mail sales@comtec-crystals.com
Internet: <http://www.comtec-crystals.com>
sous réserve de modifications.