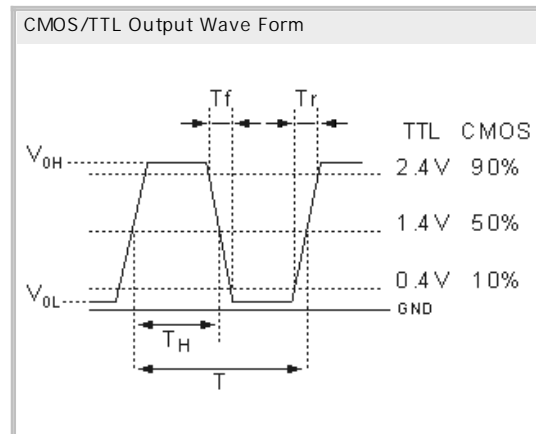
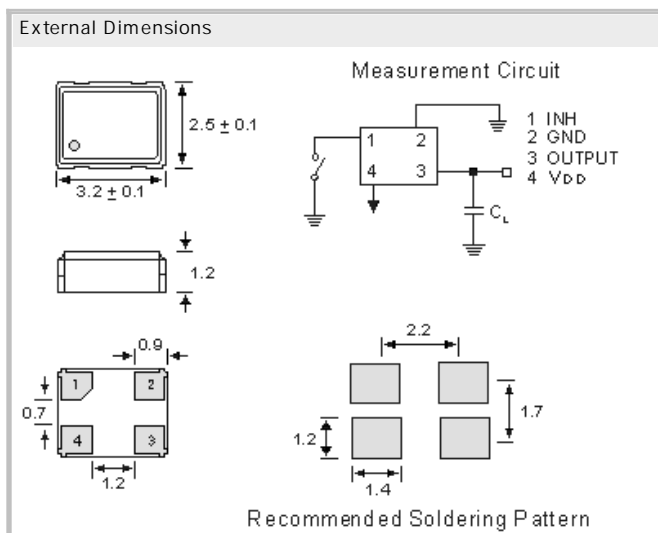


Crystal Clock Oscillator CXO3225TA25 2.5V 32µA

- SMD in ceramic case (3.2 x 2.5 x 1.0) mm
- Tri-State Enable / Disable
- CMOS/TTL Square Wave
- on Tape & Reel (Tape 8mm)
- RoHS conform; Lead-free product
- Vibration: MIL-STD-202F method 204, 35G, 50 to 2000 Hz
- Shock: MIL-STD-202F method 213B, test cond. E, 1000GG 1/2 sine wave
- Available in many standard and special frequencies



Specifications

Holder Type:	CXO3225TA2.5 Tri-State 2.5V (Voltage code is " 2.5 ")
Frequency Range:	27.3kHz ~ 100.0kHz
Frequency Stability at 25°C:	± 20 to ± 100 ppm
Operating Temperature Range:	-20°C to +70°C (min. ± 15ppm), -40°C to +85°C (min. ± 25ppm) (Inclusive Operating Temp., Supply Voltage, & Load)
Storage Temperature:	-55°C to +125°C
Power Supply Voltage (Vdd):	+ 2.5V D.C. ± 10%
Maximum Supply Current:	32µA typical;
Output Load:	15pF CMOS
Output Symmetry (Duty Cycle):	50% ± 3% typical; 50% ± 5% max. (measured at 50% Vdd)
Output Voltage (VOH) (VOL):	90% of Vdd min. / 10% of Vdd max.
Rise/Fall Time (10% to 90% Vdd):	10 ns max. < 5 ns typical
Start Up Time:	1.0 ms max. < 5.0 ms (max)
Tri-state Function Pin 1:	Pin 1 = H or open.... Output active at pin 3 Pin 1 = L.... high impedance at pin 3
Aging:	< ± 3ppm max. / year (max.)
Reflow Condition:	260°C max. for 10 sec.

GERMANY:

COMTEC CRYSTALS GmbH · Sultenstrasse 12-14
8 5 5 8 6 P o i n g / G E R M A N Y
Phone +49 8121 778160 · Fax +49 8121 778177
e-Mail info@comtec-crystals.com
Internet: <http://www.comtec-crystals.com>
Subject to change without prior notice.



Technical Data and Graphics are all under
Copyright (c) of Comtec Crystals Group.

FRANCE:

COMTEC CRYSTALS SARL · 23, rue du Faucon
6 7 5 0 0 H a g u e n a u / F R A N C E
Phone +33 388 732162 · Fax +33 388 730118
e-Mail sales@comtec-crystals.com
Internet: <http://www.comtec-crystals.com>
Sous réserve de modifications.