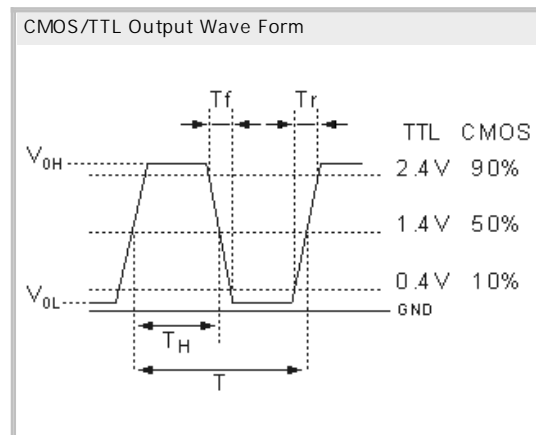




Crystal Clock Oscillator CXO7050T5.0  
5.0V CMOS/TTL, Low cost

- SMD in ceramic case (7.0 x 5.0 x 1.7) mm
- Tri-State Enable / Disable
- CMOS/TTL Square Wave
- on Tape & Reel (Tape 16mm)
- RoHS conform; Lead-free product
- Vibration: MIL-STD-202F method 204, 35G, 50 to 2000 Hz
- Shock: MIL-STD-202F method 213B, test cond. E, 1000GG 1/2 sine wave
- Available in many standard and special frequencies



## Specifications - Product No. G030000000CA CUPN00BA

|                                  |   |
|----------------------------------|---|
| Holder Type:                     | Crystal Clock Oscillator CXO7050T5.0 5.0V CMOS/TTL  |
| Frequency:                       | 30.000000 MHz   |
| Frequency Stability at 25°C:     | ± 50.0 ppm  |
| Operating Temperature Range:     | ± 50.0 ppm over -20°C to +70°C (inclusive of 25°C tolerance, ±10% input voltage variation, load change, aging, shock and vibration) |
| Storage Temperature:             | -50°C to +105°C   |
| Power Supply Voltage (Vdd):      | + 5.0V D.C. ± 10%   |
| Maximum Supply Current:          | 15.0 mA max.  |
| Output Load:                     | 15 pF CMOS / 10LS TTL gates max.  |
| Output Symmetry (Duty Cycle):    | 40/60%  |
| Output Voltage (VOH) (VOL):      | 90% of Vdd min. / 10% of Vdd max.   |
| Rise/Fall Time (10% to 90% Vdd): | 10 ns max. < 5 ns typical   |
| Start Up Time:                   | 10 ms max. < 5 ms typical   |
| Tri-state Function Pin 1:        | Pin 1 = H or open... Output active at pin 3<br>Pin 1 = L... high impedance at pin 3   |
| Phase Jitter (12 kHz to 20 MHz): | < 1pS RMS   |
| Aging:                           | < ± 5ppm max. / year (max.)   |
| Reflow Condition:                | 260°C max. for 10 sec.  |

### GERMANY:

COMTEC CRYSTALS GmbH · Sultenstrasse 12-14  
8 5 5 8 6 P o i n g / G E R M A N Y  
Phone +49 8121 778160 · Fax +49 8121 778177  
e-Mail [info@comtec-crystals.com](mailto:info@comtec-crystals.com)  
Internet: <http://www.comtec-crystals.com>  
Subject to change without prior notice.



Technical Data and Graphics are all under  
Copyright (c) of Comtec Crystals Group.

### FRANCE:

COMTEC CRYSTALS SARL · 23, rue du Faucon  
6 7 5 0 0 H a g u e n a u / F R A N C E  
Phone +33 388 732162 · Fax +33 388 730118  
e-Mail [sales@comtec-crystals.com](mailto:sales@comtec-crystals.com)  
Internet: <http://www.comtec-crystals.com>  
sous réserve de modifications.