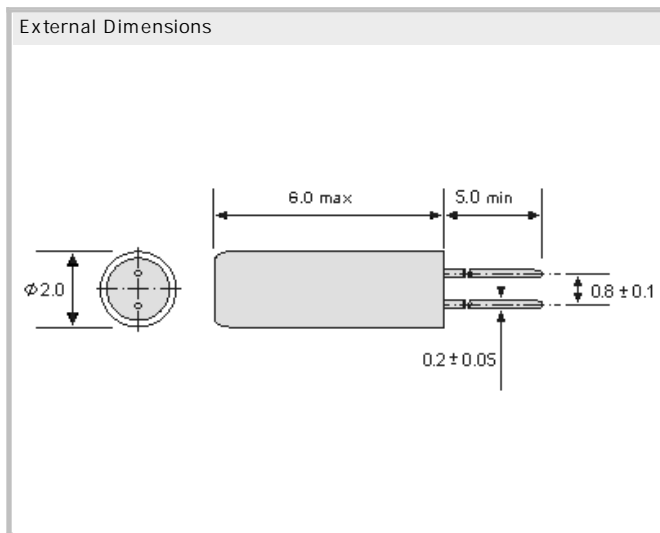


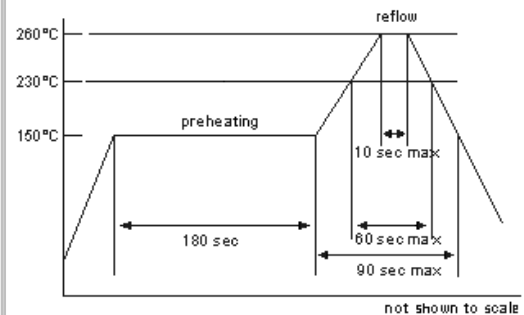


## Quartz Crystal Unit TC-26

- kHz Range Crystal Unit
- Cylinder Metal Case (6.0 x 2.0) mm
- Available in many standard and special frequencies
- Applications for Clock and Microcomputer
- RoHS conform; Lead-free product



## Soldering Conditions



## Specifications

Holder Type:	TC-26
Frequency Range:	25.000 kHz to 200 kHz
Frequency Stability at 25°C:	± 5, 20, 50, 100ppm
Temperature Stability:	± 10 to ± 30 ppm @ -10°C to + 60°C ± 10 to ± 30 ppm @ -20°C to + 70°C ± 15 to ± 50 ppm @ -40°C to + 85°C
Storage Temperature:	-40°C to + 85°C
Drive Level:	1.0 µW max.
Load Capacitance (CL):	6pF to infinity
Shunt Capacitance (C0):	< 2pF
Equivalent Series Resistance:	70 kOhm max.
Aging:	< ± 5 ppm max./year

### GERMANY:

COMTEC CRYSTALS GmbH · Sultenstrasse 12-14  
8 5 5 8 6 P o i n g / G E R M A N Y  
Phone +49 8121 778160 · Fax +49 8121 778177  
e-Mail [info@comtec-crystals.com](mailto:info@comtec-crystals.com)  
Internet: <http://www.comtec-crystals.com>  
Subject to change without prior notice.



Technical Data and Graphics are all under  
Copyright (c) of Comtec Crystals Group.

### FRANCE:

COMTEC CRYSTALS SARL · 23, rue du Faucon  
6 7 5 0 0 H a g u e n a u / F R A N C E  
Phone +33 388 732162 · Fax +33 388 730118  
e-Mail [sales@comtec-crystals.com](mailto:sales@comtec-crystals.com)  
Internet: <http://www.comtec-crystals.com>  
Sous réserve de modifications.