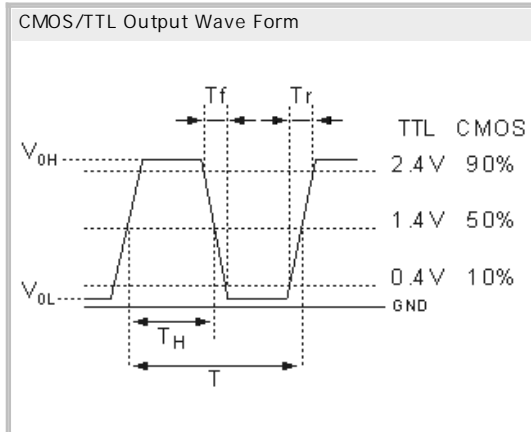
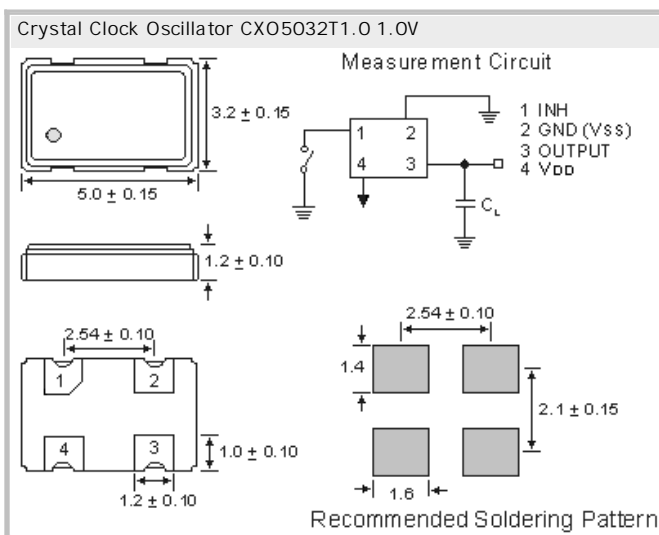




Crystal Clock Oscillator CXO5032T1.0 1.0V,  
Low cost

- SMD in ceramic case (5.0 x 3.2 x 1.2) mm
- Tri-State Enable / Disable
- CMOS/TTL Square Wave
- on Tape & Reel (Tape 16mm)
- RoHS conform; Lead-free product
- Vibration: MIL-STD-202F method 204, 35G, 50 to 2000 Hz
- Shock: MIL-STD-202F method 213B, test cond. E, 1000G 1/2 sine wave
- Available in many standard and special frequencies



## Specifications

Holder Type:	CXO5032T1.0 Tri-State 1.0V (Voltage code is " 1.0 " )
Frequency Range:	250.0kHz ~ 50.0 MHz
Frequency Stability at 25°C:	± 20 to ± 100 ppm
Operating Temperature Range:	-20°C to +70°C, -40°C to +85°C, (100ppm) -40°C to +105°C (Inclusive Operating Temp., Supply Voltage, & Load)
Storage Temperature:	-50°C to +105°C
Power Supply Voltage (Vdd):	+ 1.0V D.C. ± 5 %
Maximum Supply Current:	2mA max. (312kHz ~ 30MHz), 4mA max. ( 30MHz ~ 60MHz)
Output Load:	15pF CMOS
Output Symmetry (Duty Cycle):	40/60% (45/55% optional)
Output Voltage (VOH) (VOL):	90% of Vdd min. / 10% of Vdd max.
Rise/Fall Time (10% to 90% Vdd):	6 ns max.
Start Up Time:	10 ms max.
Tri-state Function Pin 1:	Pin 1 = H or open... Output active at pin 3 Pin 1 = L... high impedance at pin 3
Phase Jitter (12 kHz to 20 MHz):	0.145pS RMS
Excellent Phase Noise (typical; 1.0V, 40MHz)	-80dBc/Hz @ 100Hz, -110dBc/Hz @ 1kHz -142dBc/Hz @ 10kHz, -153dBc/Hz @ 100kHz, -1591dBc/Hz @ 1MHz
Aging:	< ± 3ppm max. / year (max.)
Reflow Condition:	260°C max. for 10 sec.

### GERMANY:

COMTEC CRYSTALS GmbH · Sultenstrasse 12-14  
8 5 5 8 6 P o i n g / G E R M A N Y  
Phone +49 8121 778160 · Fax +49 8121 778177  
e-Mail [info@comtec-crystals.com](mailto:info@comtec-crystals.com)  
Internet: <http://www.comtec-crystals.com>  
Subject to change without prior notice.



Technical Data and Graphics are all under  
Copyright (c) of Comtec Crystals Group.

### FRANCE:

COMTEC CRYSTALS SARL · 23, rue du Faucon  
6 7 5 0 0 H a g u e n a u / F R A N C E  
Phone +33 388 732162 · Fax +33 388 730118  
e-Mail [sales@comtec-crystals.com](mailto:sales@comtec-crystals.com)  
Internet: <http://www.comtec-crystals.com>  
Sous réserve de modifications.