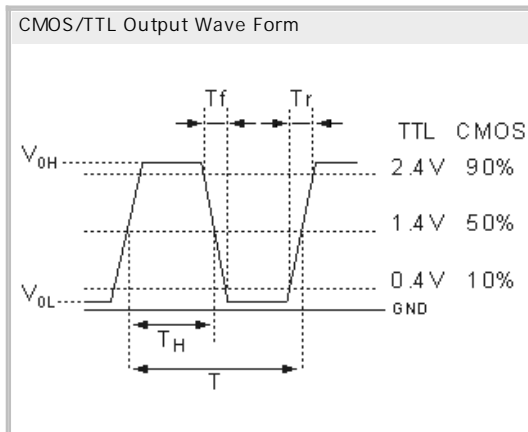
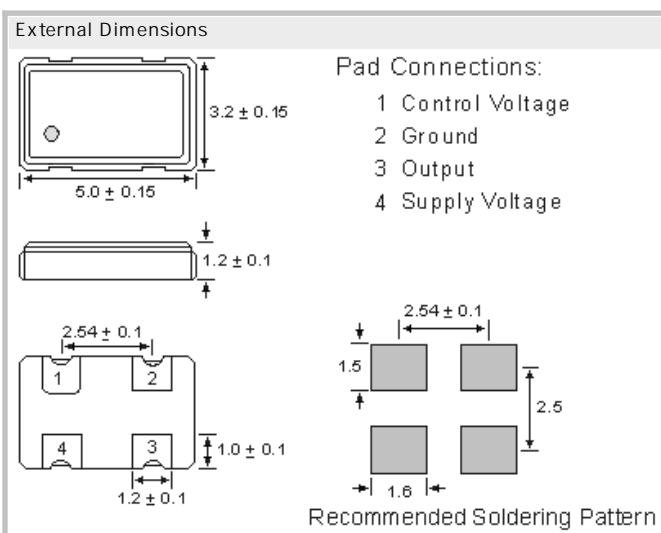


VCXO-Oscillator SMD VCXO5032T2.5-4pad 2.5V
Voltage Controlled Crystal Oscillator

- Output Wave Form CMOS/TTL
- SMD in ceramic case (5.0 x 3.2 x 1.2) mm
- RoHS conform; Lead-free product
- Vibration: MIL-STD-202F method 204, 35G, 50 to 2000 Hz
- Shock: MIL-STD-202F method 213B, test cond. E, 1000GG 1/2 sine wave
- Available in many standard and special frequencies



Specifications

Holder Type:	VCXO5032T2.5-4pad 2.5V (Voltage code is "2.5")
Frequency Range:	1.000 MHz to 50.0 MHz (Fun. frequency crystal used)
Initial Freq. Accuracy (at 25 °C):	To tune to the nominal frequency with Vc = 1.25V ± 0.2V
Frequency Stability at 25°C/Deviation:	± 25ppm (typ.) , ± 50ppm, ± 100ppm / ± 100ppm (typ.) , ± 150ppm
Operating Temperature Range:	-10°C to +70°C / -40°C to 85°C, Storage Temp. -50°C to +105°C
Power Supply Voltage (Vdd):	+ 2.5V DC ± 10%
Maximum Supply Current:	15 mA max.(Frequency dependent)
Output Load:	CMOS 15pF (typ.)
Output "1" Level (VOH):	2.25V (min.) CMOS
Output "0" Level (VOL):	0.25V (max.) CMOS
Output Symmetry (Duty Cycle):	40/60% (45/55% optional)
Voltage Control:	1.25V DC Center / 0.25V to 2.25V Range
Linearity:	6% typical; 10% max.
Rise/Fall Time TTL:	6ns (max.) 4ns (typ.) Measured between 0.4V and 2.4V
Rise/Fall Time CMOS:	6ns (max.) 4ns (typ.) Measured between 20% and 80% Vdd of the wave form (CL = 15pF)
Integrated Phase Jitter:	1 ps max. (12 kHz to 20 MHz)
Phase Noise (27MHz at 3.3V):	-75dBc/Hz at 10Hz offset -145dBc/Hz at 10kHz offset -104dBc/Hz at 100Hz offset -152dBc/Hz at 100kHz offset -132dBc/Hz at 1kHz offset -150dBc/Hz at 1MHz offset
Start Up Time:	10 ms (max.), 5ms (typ.)
Aging:	± 3 ppm per year (max.)
Reflow Condition:	10 sec. max. at 260°C

GERMANY:

COMTEC CRYSTALS GmbH · Sultenstrasse 12-14
8 5 5 8 6 P o i n g / G E R M A N Y
Phone +49 8121 778160 · Fax +49 8121 778177
e-Mail info@comtec-crystals.com
Internet: <http://www.comtec-crystals.com>
Subject to change without prior notice.



Technical Data and Graphics are all under
Copyright (c) of Comtec Crystals Group.

FRANCE:

COMTEC CRYSTALS SARL · 23, rue du Faucon
6 7 5 0 0 H a g u e n a u / F R A N C E
Phone +33 388 732162 · Fax +33 388 730118
e-Mail sales@comtec-crystals.com
Internet: <http://www.comtec-crystals.com>
Sous réserve de modifications.