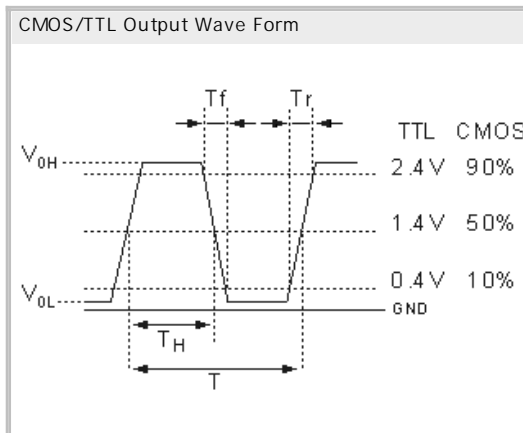
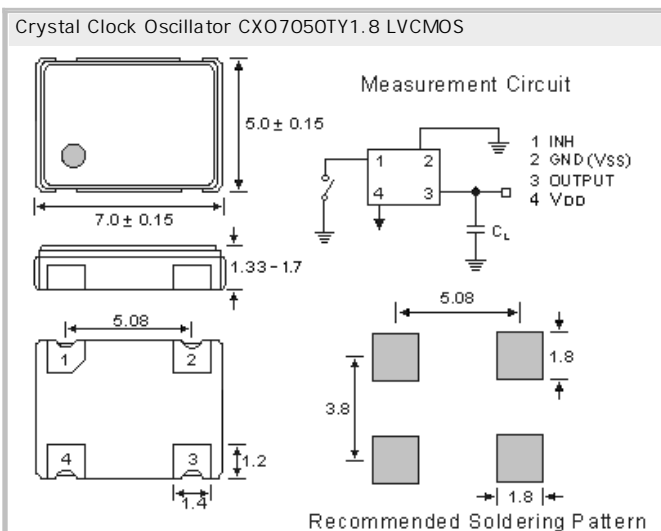


Crystal Clock Oscillator Wide Operating Temperature  
CXO7050TY1.8 1.8V LVCMOS Over -40°C to +125°C

- SMD in ceramic case (7.0 x 5.0 x 1.7) mm
- Tri-State Enable / Disable
- LVCMOS Square Wave
- on Tape & Reel (Tape 16mm)
- RoHS conform; Lead-free product
- Vibration: MIL-STD-202F method 204, 35G, 50 to 2000 Hz
- Shock: MIL-STD-202F method 213B, test cond. E, 1000G 1/2 sine wave
- Available in many standard and special frequencies



## Specifications

Holder Type:	Crystal Clock Oscillator CXO7050TY1.8 1.8V CMOS/TTL
Frequency Range:	1.25 MHz ~ 50 MHz
Frequency Stability at 25°C:	± 25 to ± 100 ppm
Operating Temperature Range:	over -40°C to +125°C ± 25 to ± 100 ppm (Inclusive Operating Temp., Supply Voltage, & Load)
Storage Temperature:	-65°C to +150°C
Power Supply Voltage (Vdd):	+ 1.8V D.C. ± 10%
Maximum Supply Current:	2mA max. (1.25MHz ~ 20MHz) 4mA max. ( 20MHz ~ 50MHz)
Output Load:	15pF
Output Symmetry (Duty Cycle):	40/60% (45/55% optional)
Output Voltage (VOH) (VOL):	90% of Vdd min. / 10% of Vdd max.
Rise/Fall Time (10% to 90% Vdd):	10 ns max.
Start Up Time:	1.25 ~ 50.0 MHz : 5 ms ( max. )
Tri-state Function Pin 1:	Pin 1 = H or open.... Output active at pin 3 Pin 1 = L.... high impedance at pin 3
Phase Jitter (26 MHz, 3.3V):	150 fs (typical) (12kHz to 20 MHz integrated)
SSB Phase Noise:	-94dBc/Hz @ 10Hz, -127dBc/Hz @ 100Hz, -142dBc/Hz @ 1kHz -156dBc/Hz @ 10kHz, -161dBc/Hz @ 100kHz, -163dBc/Hz @ 1MHz -163dBc/Hz @ 5MHz
Aging:	< ± 2ppm max. for the first year (max.)
Reflow Condition:	260°C max. for 10 sec.

### GERMANY:

COMTEC CRYSTALS GmbH · Sultenstrasse 12-14  
8 5 5 8 6 P o i n g / G E R M A N Y  
Phone +49 8121 778160 · Fax +49 8121 778177  
e-Mail [info@comtec-crystals.com](mailto:info@comtec-crystals.com)  
Internet: <http://www.comtec-crystals.com>  
Subject to change without prior notice.



Technical Data and Graphics are all under  
Copyright (c) of Comtec Crystals Group.

### FRANCE:

COMTEC CRYSTALS SARL · 23, rue du Faucon  
6 7 5 0 0 H a g u e n a u / F R A N C E  
Phone +33 388 732162 · Fax +33 388 730118  
e-Mail [sales@comtec-crystals.com](mailto:sales@comtec-crystals.com)  
Internet: <http://www.comtec-crystals.com>  
Sous réserve de modifications.