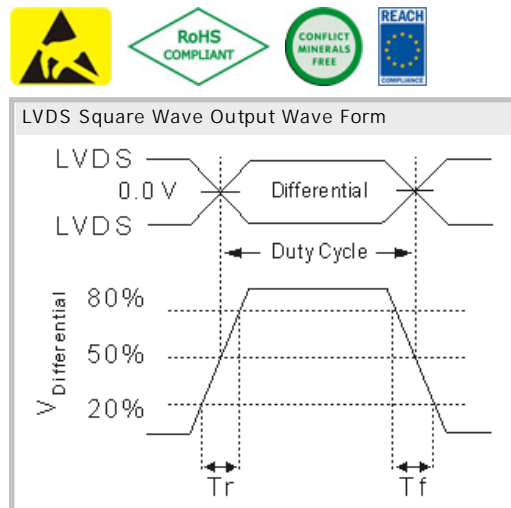
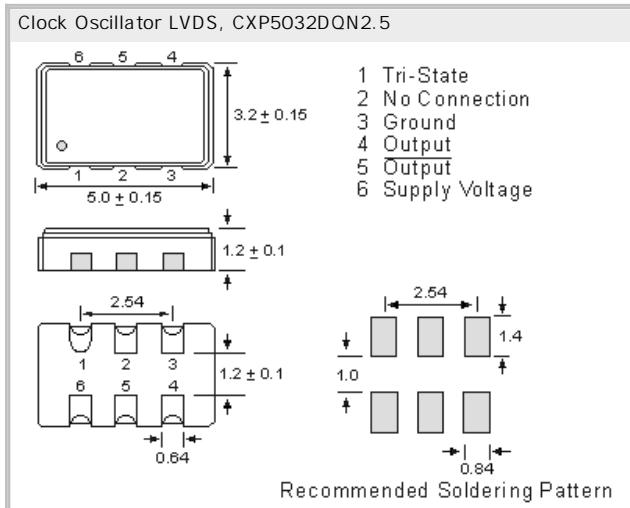




Clock Oscillator LVDS Differential
CXP5032DQN2.5, 2.5V, 0.6ps typical Phase Jitter, with PLL

- SMD in ceramic case (5.0 x 3.2 x 1.2) mm
- Tri-State Enable / Disable on pad No. 1
- LVDS Square Wave Output Wave Form
- High Q fundamental crystal + low jitter multiplier circuit + ultra low jitter multiplier circuit
- RoHS conform; Lead-free product; on Tape (16mm) & Reel
- Vibration: MIL-STD-202F method 204, 35G, 50 to 2000 Hz
- Shock: MIL-STD-202F method 213B, test cond. E, 1000GG 1/2 sine wave
- Available in many standard and special frequencies



Specifications

Holder Type / Voltage (Vdd):	CXP5032DQN2.5; + 2.5V D.C. \pm 5%; Tri-State on pad 1
Frequency Range:	150.000 MHz to 1500.000 MHz
Frequency Tolerance at 25°C:	\pm 20 to \pm 100 ppm
Operating-/Storage -Temperature Range:	-20°C to +70°C, -40°C to +85°C // -55°C to +150°C
Maximum Supply Current (15pF load):	100MHz: 16mA typical to 1.35GHz: 26mA typical;
Output Logic:	"High", 1: 1.4V (typical); 1.6V (max.), $R_L = 100 \text{ Ohm}$ "Low", 0: 0.9V (min); 1.1V (typical), $R_L = 100 \text{ Ohm}$
Output Voltage Swing:	250mV min., 350 typ., 450mV max., $R_L = 100 \text{ Ohm}$
Load:	100 Ohm between output and complimentary output
Rise (T_r)/Fall Time (T_f):	0.2ns typical; 0.5ns max. (20% Vdd \rightarrow 80% of the LVDS wave form)
Start Up Time:	5 ms typical; 10ms max.
Tri-state Function Pin1:	Enable When 70% min. of VDD to Enable Output. Enable time : 200 ns max. Disable When 30% max. of VDD to Disable Output. Disable current : 16 mA max. , Disable time : 50 ns max.
Phase Jitter:	0.6 ps typ. (12 kHz to 20 MHz); < 100 fs (1.875 MHz to 20MHz)
Phase Noise (156.250 MHz):	-67dBc/Hz @ 10Hz, -92dBc/Hz @ 100Hz, -112dBc/Hz @ 1kHz -121dBc/Hz @ 10kHz, -124dBc/Hz @ 100kHz, -136dBc/Hz @ 1MHz, -153dBc/Hz @ 5MHz
Aging:	< \pm 2ppm max. for the first year; \pm 10ppm max. over 10 years
Reflow Condition:	260°C max for 10 sec.

GERMANY:

COMTEC CRYSTALS GmbH · Sultenstrasse 12-14
8 5 5 8 6 P o i n g / G E R M A N Y
Phone +49 8121 778160 · Fax +49 8121 778177
e-Mail info@comtec-crystals.com
Internet: <http://www.comtec-crystals.com>
Subject to change without prior notice.



Technical Data and Graphics are all under
Copyright (c) of Comtec Crystals Group.

FRANCE:

COMTEC CRYSTALS SARL · 23, rue du Faucon
6 7 5 0 0 H a g u e n a u / F R A N C E
Phone +33 388 732162 · Fax +33 388 730118
e-Mail sales@comtec-crystals.com
Internet: <http://www.comtec-crystals.com>
Sous réserve de modifications.