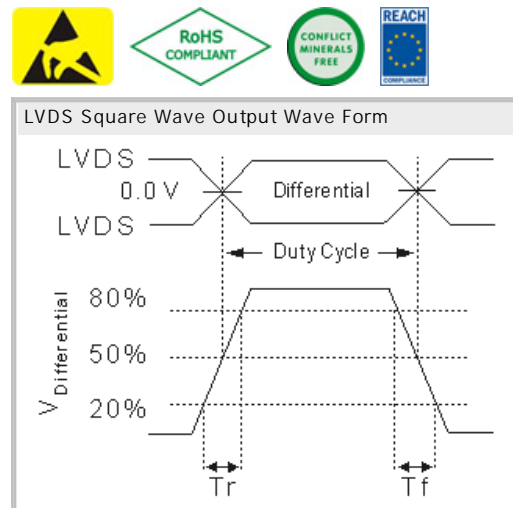
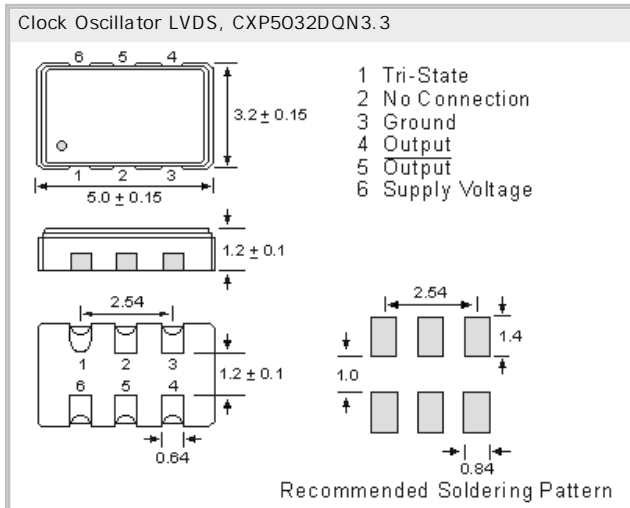


Clock Oscillator LVDS Differential
CXP5032DQN3.3, 3.3V, 0.6ps typical Phase Jitter, with PLL

- SMD in ceramic case (5.0 x 3.2 x 1.2) mm
- Tri-State Enable / Disable on pad No. 1
- LVDS Square Wave Output Wave Form
- High Q fundamental crystal + low jitter multiplier circuit + ultra low jitter multiplier circuit
- RoHS conform; Lead-free product; on Tape (16mm) & Reel
- Vibration: MIL-STD-202F method 204, 35G, 50 to 2000 Hz
- Shock: MIL-STD-202F method 213B, test cond. E, 1000GG 1/2 sine wave
- Available in many standard and special frequencies



Specifications

| | |
|---------------------------------------|--|
| Holder Type / Voltage (Vdd): | CXP5032DQN3.3; + 3.3V D.C. ± 5%; Tri-State on pad 1 |
| Frequency Range: | 150.000 MHz to 1500.000 MHz |
| Frequency Tolerance at 25°C: | ± 20 to ± 100 ppm |
| Operating-/Storage -Temperature Range | -20°C to +70°C, -40°C to +85°C // -55°C to +150°C |
| Maximum Supply Current (15pF load): | 100MHz: 18mA typical to 1.35GHz: 28mA typical; |
| Output Logic: | "High", 1: 1.4V (typical); 1.6V (max.), RL = 100 Ohm "Low", 0: 0.9V (min); 1.1V (typical), RL = 100 Ohm |
| Output Voltage Swing: | 250mV min., 350 typ., 450mV max., RL = 100 Ohm |
| Load: | 100 Ohm between output and complimentary output |
| Rise (Tr)/Fall Time (Tf): | 0.2ns typical; 0.5ns max. (20% Vdd <-> 80% of the LVDS wave form) |
| Start Up Time: | 5 ms typical; 10ms max. |
| Tri-state Function Pin1: | Enable When 70% min. of VDD to Enable Output. Enable time : 200 ns max. Disable When 30% max. of VDD to Disable Output. Disable current : 16 mA max. , Disable time : 50 ns max. |
| Phase Jitter: | 0.6 ps typ. (12 kHz to 20 MHz); < 100 fs (1.875 MHz to 20MHz) |
| Phase Noise (156.250 MHz): | -67dBc/Hz @ 10Hz, -92dBc/Hz @ 100Hz, -112dBc/Hz @ 1kHz -121dBc/Hz @ 10kHz, -124dBc/Hz @ 100kHz, -136dBc/Hz @ 1MHz, -153dBc/Hz @ 5MHz |
| Aging: | < ± 3ppm max. for the first year; ± 10ppm max. over 10 years |
| Reflow Condition: | 260°C max for 10 sec. |

GERMANY:

COMTEC CRYSTALS GmbH · Sultenstrasse 12-14
8 5 5 8 6 P o i n g / G E R M A N Y
Phone +49 8121 778160 · Fax +49 8121 778177
e-Mail info@comtec-crystals.com
Internet: <http://www.comtec-crystals.com>
Subject to change without prior notice.



Technical Data and Graphics are all under
Copyright (c) of Comtec Crystals Group.

FRANCE:

COMTEC CRYSTALS SARL · 23, rue du Faucon
6 7 5 0 0 H a g u e n a u / F R A N C E
Phone +33 388 732162 · Fax +33 388 730118
e-Mail sales@comtec-crystals.com
Internet: <http://www.comtec-crystals.com>
Sous réserve de modifications.