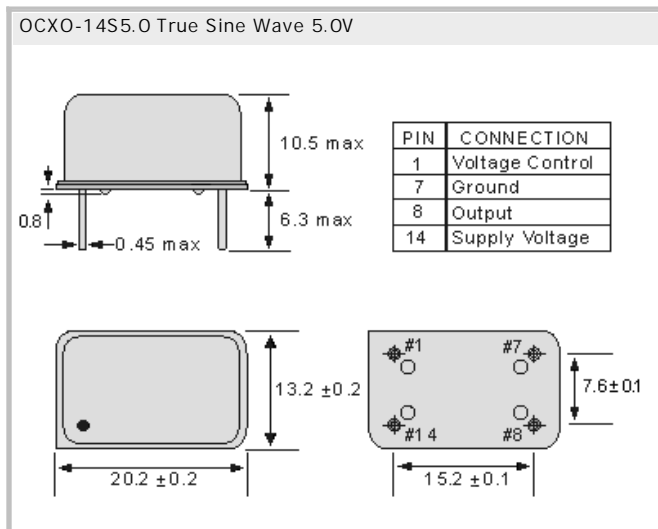




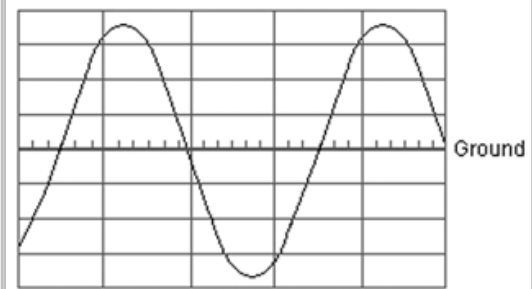
OCXO-14S5.0 True Sine Wave 5.0V
Oven Controlled Crystal Oscillator

- DIL in metal case (20.2 x 13.2 x 10.5) mm
- Output wave form: True Sine Wave, AT-cut crystal
- Best Stability ± 0.075 ppm
- RoHS conform; Lead-free product
- Vibration: 10 to 2000 Hz / 10 G
- Shock: 2000 G, 0.3ms 1/2 sine

- Available in many standard and special frequencies



Sinus Output Wave Form



Specifications

Holder Type:	OCXO-14S5.0 True Sine Wave 5.0V (Voltage code is " 5.0 ")
Supply Voltage range:	+ 5.0V ± 0.2 V
Frequency Range:	1.25 MHz to 100.000 MHz
Initial Calibration Tolerance:	± 0.5 ppm max., Vcon = +2.5V
Frequency Stability (FS):	
(FS) Operating Temperature Range:	0°C to + 60°C, typical ± 0.2 (ppm), available ± 0.075 (ppm) -20°C to +70°C, typical ± 0.3 (ppm), available ± 0.150 (ppm) -40°C to +85°C, typical ± 0.5 (ppm), available ± 0.250 (ppm)
(FS) Voltage Change:	(± 0.2 V) < ± 0.1 ppm
(FS) Warm up time (+ 25°C):	3 minutes (max.)
(FS) Aging:	± 0.7 ppm first year, < 4.0ppm over 10 years
(FS) Load Change:	± 0.01 ppm, for $\pm 5\%$ load condition change
Voltage Control on pin 1 (EFC):	Electronic Frequency Tuning
(EFC) Freq. Deviation Range:	± 4.0 ppm (min.), Reference to fo at +25°C
(EFC) Control Voltage Range:	(+ 5.0V) 0.0 to 5.0V
(EFC) Transfer Function:	Positive: Increasing control voltage increases output frequency
(EFC) Input Impedance:	47 k Ohm (min.)
(EFC) Linearity:	$\pm 10\%$ (max.)
Power Dissipation (at 25°C):	steady-state : 1.5 W (max.) , turn-on: 2.5W (max.)
Output:	Output Level : + 3 dBm (typ.) into 50 Ohm load Harmonic: -10 dBm (min.), Spurious: -70 dBc (min.)
SSB Phase Noise:	-80dBc/Hz @ 1Hz, -110dBc/Hz @ 10Hz, -135dBc/Hz @ 100Hz, -145dBc/Hz @ 1kHz, -150dBc/Hz @ 10kHz

GERMANY:

COMTEC CRYSTALS GmbH · Sultenstrasse 12-14
8 5 5 8 6 P o i n g / G E R M A N Y
Phone +49 8121 778160 · Fax +49 8121 778177
e-Mail info@comtec-crystals.com
Internet: <http://www.comtec-crystals.com>
Subject to change without prior notice.



Technical Data and Graphics are all under
Copyright (c) of Comtec Crystals Group.

FRANCE:

COMTEC CRYSTALS SARL · 23, rue du Faucon
6 7 5 0 0 H a g u e n a u / F R A N C E
Phone +33 388 732162 · Fax +33 388 730118
e-Mail sales@comtec-crystals.com
Internet: <http://www.comtec-crystals.com>
Sous réserve de modifications.