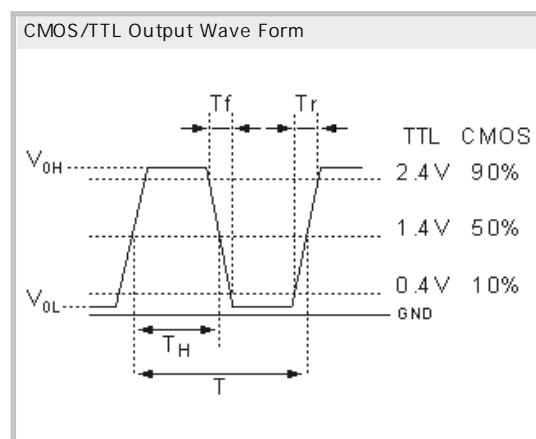
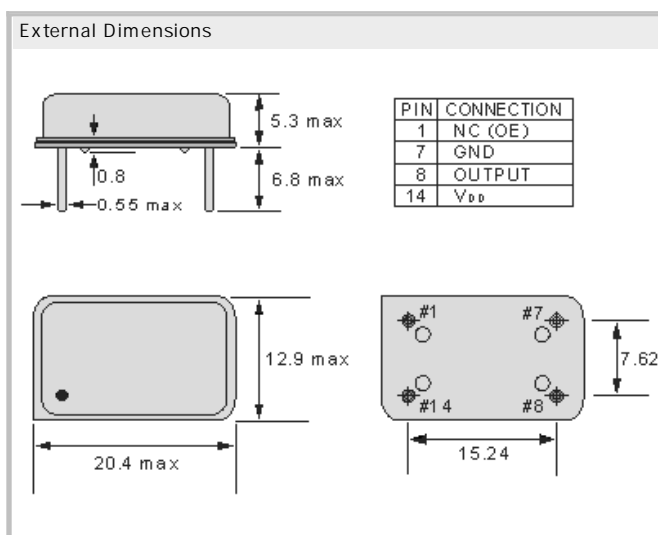


Programmable Crystal Clock Oscillator 3XP-12C3.3  
3.3V 1-100MHz

- Short lead time. From one day to one week
- Compact metal package in DIL14
- CMOS/TTL Square Wave
- Available in many frequencies
- packed in antistatic tubes
- RoHS conform; Lead-free product



## Specifications - Product No. G06400000KQSUPN43AB

|   |   |
|---|---|
| Holder Type:  | 3XP-12C3 (3.3V)   |
| Frequency:  | 64.000000 MHz   |
| Frequency Stability at 25°C:                          | ± 25.0 ppm  |
| Operating Temperature Range:                          | ± 25.0 ppm -40°C to +85°C   |
| Storage Temperature:                                  | -55°C to +125°C   |
| Power Supply Voltage (V <sub>DD</sub> ):              | + 5.5V max. to 2.7V min.  |
| Maximum Supply Current:                               | 25.0 mA max.  |
| Standby Current:                                      | 10µA typical, 50µA max.   |
| Output Load CL:                                       | 3.0V -3.6V 40-100 MHz 15pF  |
| Output Symmetry (Duty Cycle):                         | 40/60% or 45/55%  |
| Output Voltage (V <sub>OH</sub> ) (V <sub>OL</sub> ): | 90% of V <sub>DD</sub> min. / 10% of V <sub>DD</sub> max.                             |
| Rise/Fall Time (10% to 90% V <sub>DD</sub> ):         | 4 ns max. < 2.0 ns typical  |
| Start Up Time:  | 10 ms max.  |
| Tri-state (Option):                                   | Pin 1 = H or open.... Output active at pin 8<br>Pin 1 = L.... high impedance at pin 8 |
| Output Enable Time:                                   | 100 ns  |
| RMS Jitter:   | 65ps typ.; 99ps max.  |
| Aging:  | < ± 5ppm max. / year (max.)   |

### GERMANY:

COMTEC CRYSTALS GmbH · Sultenstrasse 12-14  
8 5 5 8 6 P o i n g / G E R M A N Y  
Phone +49 8121 778160 · Fax +49 8121 778177  
e-Mail [info@comtec-crystals.com](mailto:info@comtec-crystals.com)  
Internet: <http://www.comtec-crystals.com>  
Subject to change without prior notice.



Technical Data and Graphics are all under  
Copyright (c) of Comtec Crystals Group.

### FRANCE:

COMTEC CRYSTALS SARL · 23, rue du Faucon  
6 7 5 0 0 H a g u e n a u / F R A N C E  
Phone +33 388 732162 · Fax +33 388 730118  
e-Mail [sales@comtec-crystals.com](mailto:sales@comtec-crystals.com)  
Internet: <http://www.comtec-crystals.com>  
Sous réserve de modifications.