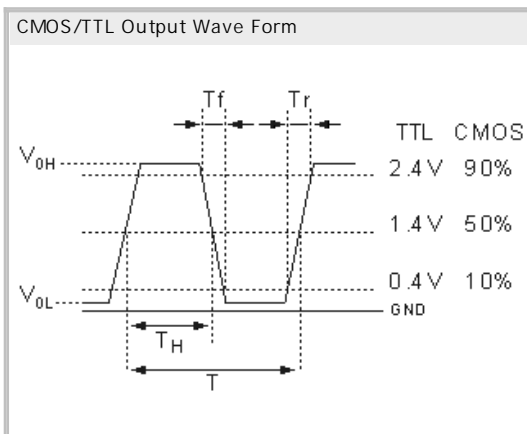
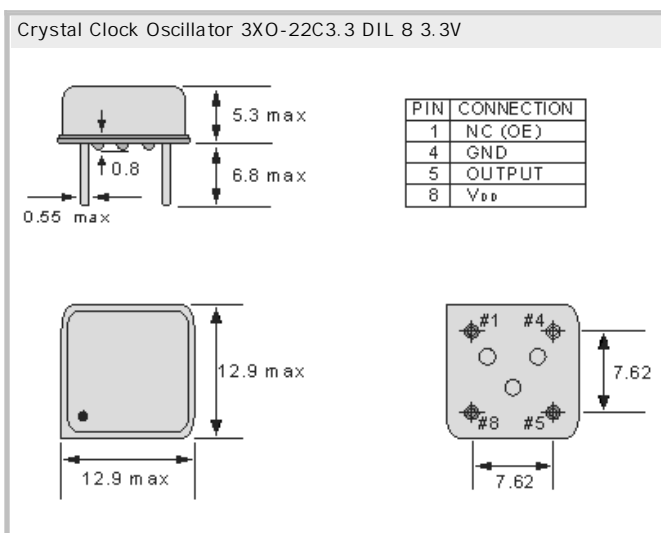




Crystal Clock Oscillator 3XO-22C3.3 DIL 8 3.3V

- micro-processor clocks
- ultra compact metal package
- CMOS/TTL Square Wave
- Available in many standard and special frequencies
- packed in antistatic tubes
- RoHS conform; Lead-free product



Specifications - Product No. G024576000ABTUPS00GA

| | |
|---|---|
| Holder Type: | Crystal Clock Oscillator 3XO-22C3.3 DIL 8 3.3V |
| Frequency: | 24.576000 MHz |
| Frequency Stability at 25°C: | ± 10.0 ppm |
| Operating Temperature Range: | ± 10.0 ppm over -20°C to +70°C (inclusive of 25°C tolerance, ±10% input voltage variation, load change, aging, shock and vibration) |
| Storage Temperature: | -50°C to +100°C |
| Power Supply Voltage (V _{DD}): | + 3.3V D.C. ± 10% |
| Maximum Supply Current: | 20.0 mA max. |
| Output Load CL: | 2 - 10 (LS) TTL gates, 15 pF HCMOS |
| Output Symmetry (Duty Cycle): | 40/60% |
| Output Voltage (V _{OH}) (V _{OL}): | 90% of V _{DD} min. / 10% of V _{DD} max. |
| Rise/Fall Time (10% to 90% V _{DD}): | 10 ns max. < 5 ns typical |
| Start Up Time: | 10 ms max. < 5 ms typical |
| Aging: | < ± 5ppm max. / year (max.) |
| Moisture sensitivity level: | MSL=1 per IPC/JEDEC J-STD-020 C |

GERMANY:

COMTEC CRYSTALS GmbH · Sultenstrasse 12-14
8 5 5 8 6 P o i n g / G E R M A N Y
Phone +49 8121 778160 · Fax +49 8121 778177
e-Mail info@comtec-crystals.com
Internet: <http://www.comtec-crystals.com>
Subject to change without prior notice.



Technical Data and Graphics are all under
Copyright (c) of Comtec Crystals Group.

FRANCE:

COMTEC CRYSTALS SARL · 23, rue du Faucon
6 7 5 0 0 H a g u e n a u / F R A N C E
Phone +33 388 732162 · Fax +33 388 730118
e-Mail sales@comtec-crystals.com
Internet: <http://www.comtec-crystals.com>
sous réserve de modifications.