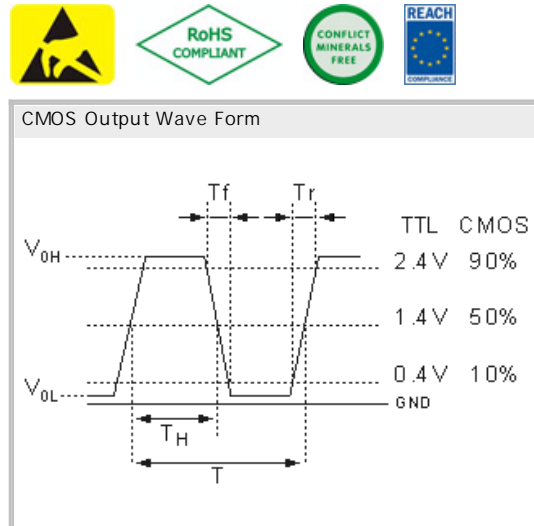
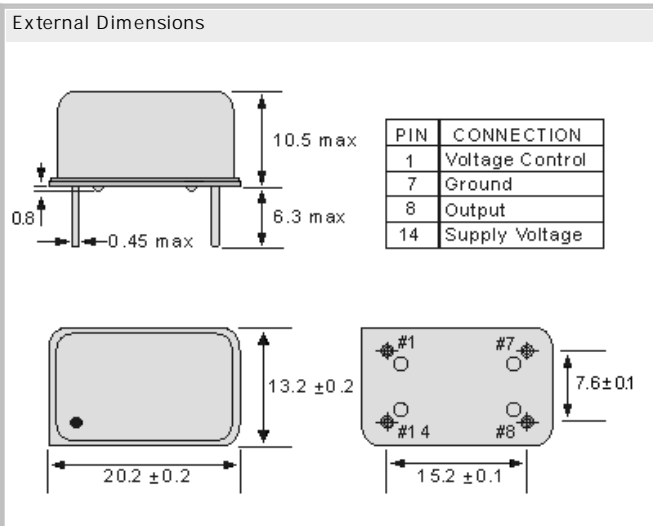




OCXO-14T3.3 3.3V
Oven Controlled Crystal Oscillator

- DIL in metal case (20.2 x 13.2 x 10.5) mm
- CMOS Square Wave, AT-cut crystal
- Voltage control (Electronic Freq. Tuning) is standard
- RoHS conform; Lead-free product
- Vibration: 10 to 2000 Hz / 10 G
- Shock: 2000 G, 0.3ms 1/2 sine
- Available in many standard and special frequencies



Specifications - Product No. G01280000D04UPN43TA

Holder Type:	OCXO-14T3.3 3.3V (Voltage code is " 3.3 ")
Supply Voltage range:	+ 3.3V ± 0.15V
Frequency:	12.800000 MHz
Initial Calibration Tolerance:	± 0.5ppm (max.), Vcon = + 1.65V
Frequency Stability (FS):	
(FS) Operating Temperature Range:	-40°C to +85°C, ± 2.0ppm
(FS) Voltage Change:	(± 0.15V) < ± 0.1ppm
(FS) Warm up time (+ 25°C):	5 minutes (max.)
(FS) Aging:	± 0.7 ppm first year, < 4.0ppm over 10 years
(FS) Load Change:	± 0.01ppm, for ± 5% load condition change
Voltage Control on pin 1 (EFC):	Electronic Frequency Tuning
(EFC) Freq. Deviation Range:	± 4.0ppm (min.), Reference to fo at + 25°C
(EFC) Control Voltage Range:	(+ 3.3V) 0.0 to 3.3V
(EFC) Transfer Function:	Positive: Increasing control voltage increases output frequency
(EFC) Input Impedance:	47 k Ohm (min.)
(EFC) Linearity:	± 10 % (max.)
Power Dissipation (at 25°C):	steady-state : 1.5 W (max.) , turn-on: 2.5W (max.)
Output:	Load (Fan out) : 10LS or 47pF Output Logic: High (Voh) + 2.8V (min), Low (Vol) + 0.4V (max.) Duty Cycle (at 50% Vcc) : 50% ± 10% Rise and Fall Time (20% to 80%) : 7ns (max.) (20% to 80% of waveform)
Output Phase Noise (10.0 MHz):	-80dBc/Hz @ 1Hz, -110dBc/Hz @ 10Hz, -135dBc/Hz @ 100Hz, -145dBc/Hz @ 1kHz, -150dBc/Hz @ 10kHz

GERMANY:

COMTEC CRYSTALS GmbH · Sultenstrasse 12-14
8 5 5 8 6 P o i n g / G E R M A N Y
Phone +49 8121 778160 · Fax +49 8121 778177
e-Mail info@comtec-crystals.com
Internet: <http://www.comtec-crystals.com>
Subject to change without prior notice.



Technical Data and Graphics are all under
Copyright (c) of Comtec Crystals Group.

FRANCE:

COMTEC CRYSTALS SARL · 23, rue du Faucon
6 7 5 0 0 H a g u e n a u / F R A N C E
Phone +33 388 732162 · Fax +33 388 730118
e-Mail sales@comtec-crystals.com
Internet: <http://www.comtec-crystals.com>
Sous réserve de modifications.