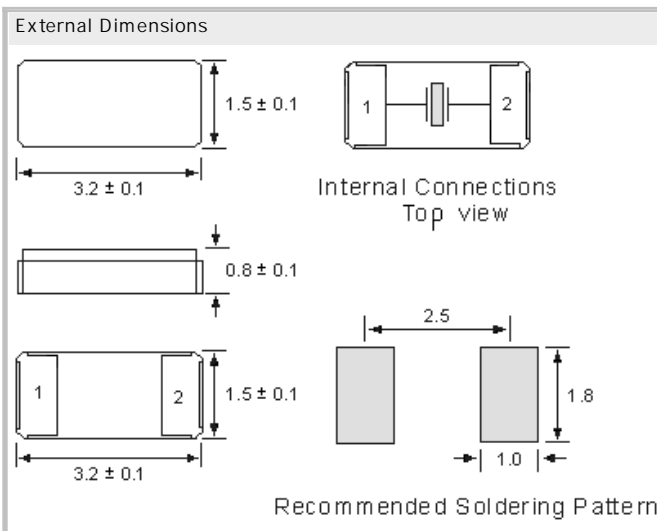


## CM3215-2pad

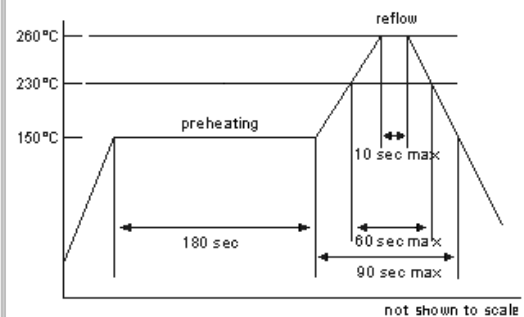


### Quartz Crystal Unit CM3215-2pad

- SMD in ceramic case (3.2 x 1.5 x 0.8) mm
- Available in many standard and special frequencies
- on Tape & Reel
- RoHS conform; Lead-free product



### Soldering Conditions



## Specifications

Holder Type:	CM3215-2pad
Frequency Range:	32.000 kHz to 77.500 kHz
Frequency Stability at 25°C:	± 20 ppm
Temperature Stability:	± 20 ppm @ -40°C to +85°C
Storage Temperature:	-50°C to +120°C
Drive Level:	0.5µW max.
Load Capacitance (CL):	6pF to 12.5pF
Shunt Capacitance (CO):	< 5pF
Equivalent Series Resistance:	R = 70 kOhm max.
Aging:	< ± 3ppm max. / year (max.)

### GERMANY:

COMTEC CRYSTALS GmbH · Sultenstrasse 12-14  
8 5 5 8 6 P o i n g / G E R M A N Y  
Phone +49 8121 778160 · Fax +49 8121 778177  
e-Mail [info@comtec-crystals.com](mailto:info@comtec-crystals.com)  
Internet: <http://www.comtec-crystals.com>  
Subject to change without prior notice.



Technical Data and Graphics are all under  
Copyright (c) of Comtec Crystals Group.

### FRANCE:

COMTEC CRYSTALS SARL · 23, rue du Faucon  
6 7 5 0 0 H a g u e n a u / F R A N C E  
Phone +33 388 732162 · Fax +33 388 730118  
e-Mail [sales@comtec-crystals.com](mailto:sales@comtec-crystals.com)  
Internet: <http://www.comtec-crystals.com>  
Sous réserve de modifications.