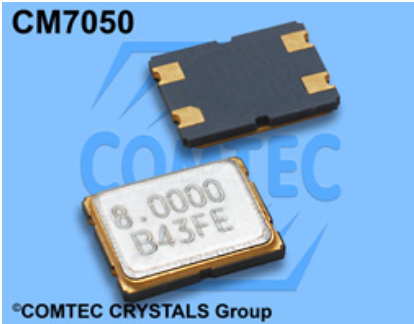
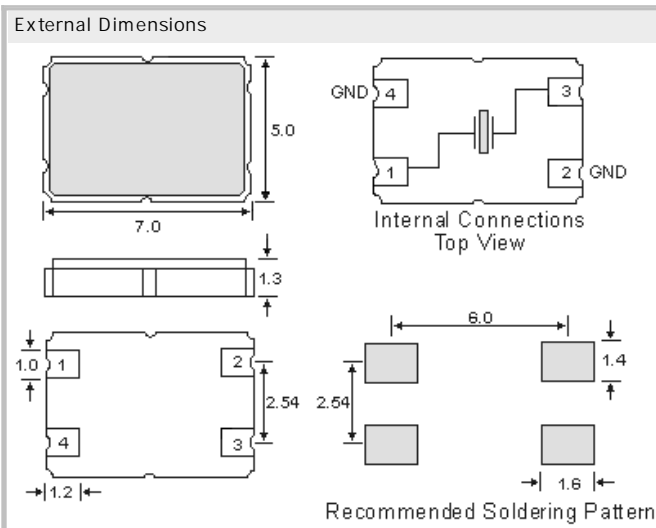


## CM7050

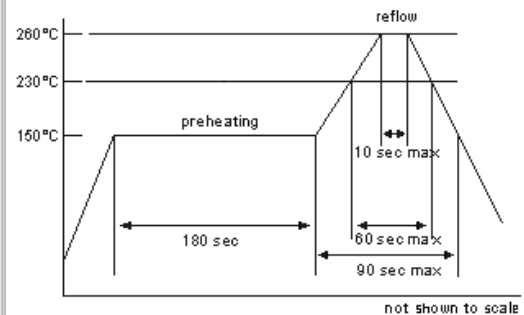


### Quartz Crystal Unit CM7050-4pad

- SMD in ceramic case (7.0 x 5.0 x 1.3) mm
- The whole package is grounded via the top metal lid and the two bottom pads.
- Available in many standard and special frequencies
- on Tape & Reel
- RoHS conform; Lead-free product



### Soldering Conditions



## Specifications

Holder Type:	CM7050-4pad
Frequency Range:	6.000 to 80.000 MHz (fun) 30.000 to 160.000 MHz (3rd)
Frequency Stability at 25° C:	± 5 to ± 50 ppm
Temperature Stability:	± 5 to ± 30 ppm @ -10° C to + 60° C ± 10 to ± 30 ppm @ -20° C to + 70° C ± 15 to ± 50 ppm @ -40° C to + 85° C ± 100ppm @ -55° C to + 125° C
Storage Temperature:	-50° C to + 105° C
Drive Level:	10µW (< 100µW max.)
Load Capacitance (CL):	8pF to 32pF, series (00)
Shunt Capacitance (CO):	< 5pF
Crystal Cut & Vibration Mode:	AT-cut, fundamental.; - 3rd overtone
Equivalent Series Resistance:	R = 40 Ohm (fund.) - 100 Ohm max. (3rd)
Aging:	< ± 3ppm max. / year (max.)

### GERMANY:

COMTEC CRYSTALS GmbH · Sultenstrasse 12-14  
8 5 5 8 6 P o i n g / G E R M A N Y  
Phone +49 8121 778160 · Fax +49 8121 778177  
e-Mail info@comtec-crystals.com  
Internet: <http://www.comtec-crystals.com>  
Subject to change without prior notice.



Technical Data and Graphics are all under  
Copyright (c) of Comtec Crystals Group.

### FRANCE:

COMTEC CRYSTALS SARL · 23, rue du Faucon  
6 7 5 0 0 H a g u e n a u / F R A N C E  
Phone +33 388 732162 · Fax +33 388 730118  
e-Mail sales@comtec-crystals.com  
Internet: <http://www.comtec-crystals.com>  
Sous réserve de modifications.