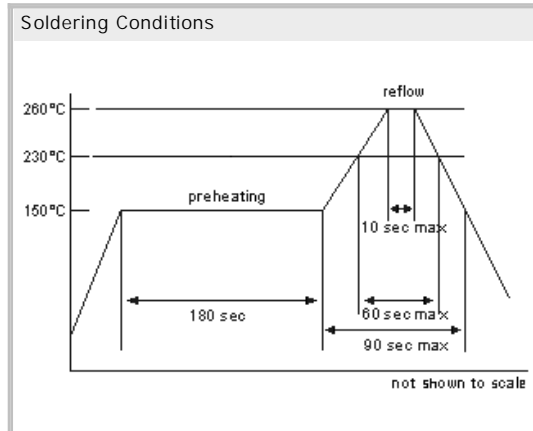
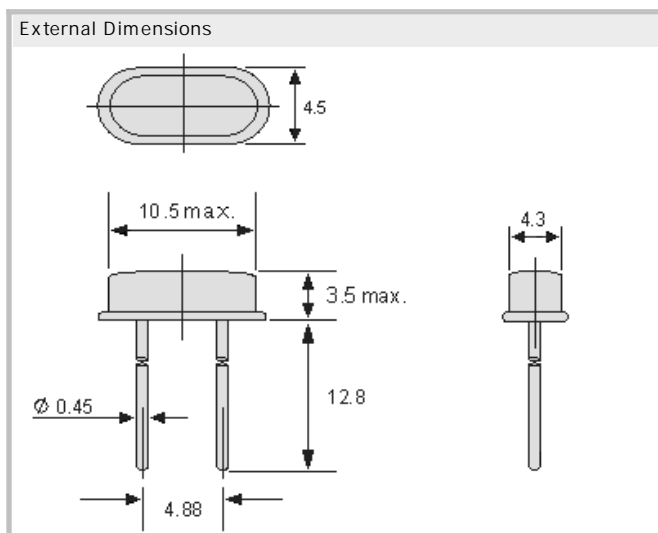


## Quartz Crystal Unit HC49S

- Standard Quartz Crystal
- Metal Case, available with Radial Taping Package (from 1 k)
- RoHS conform; Lead-free product
- Available in many standard and special frequencies



## Specifications - Product No. A018432000ACFHPN43DB

|                               |                               |
|-------------------------------|-------------------------------|
| Holder Type:                  | HC-49S, (HC49U70, HC49U3H/4H) |
| Frequency:                    | 18.432000 MHz                 |
| Frequency Stability at 25°C:  | ± 30 ppm                      |
| Temperature Stability:        | ± 50ppm @ -40°C to +85°C      |
| Storage Temperature:          | -50°C to +105°C               |
| Drive Level:                  | 100µW (500µW max.)            |
| Load Capacitance (CL):        | 18 pF                         |
| Shunt Capacitance (CO):       | < 7pF                         |
| Crystal Cut & Vibration Mode: | AT- cut, fundamental          |
| Equivalent Series Resistance: | 40 Ohm max.                   |
| Aging:                        | < ± 3ppm max. / year (max.)   |

### GERMANY:

COMTEC CRYSTALS GmbH · Sultenstrasse 12-14  
8 5 5 8 6 P o i n g / G E R M A N Y  
Phone +49 8121 778160 · Fax +49 8121 778177  
e-Mail [info@comtec-crystals.com](mailto:info@comtec-crystals.com)  
Internet: <http://www.comtec-crystals.com>  
Subject to change without prior notice.



Technical Data and Graphics are all under  
Copyright (c) of Comtec Crystals Group.

### FRANCE:

COMTEC CRYSTALS SARL · 23, rue du Faucon  
6 7 5 0 0 H a g u e n a u / F R A N C E  
Phone +33 388 732162 · Fax +33 388 730118  
e-Mail [sales@comtec-crystals.com](mailto:sales@comtec-crystals.com)  
Internet: <http://www.comtec-crystals.com>  
Sous réserve de modifications.