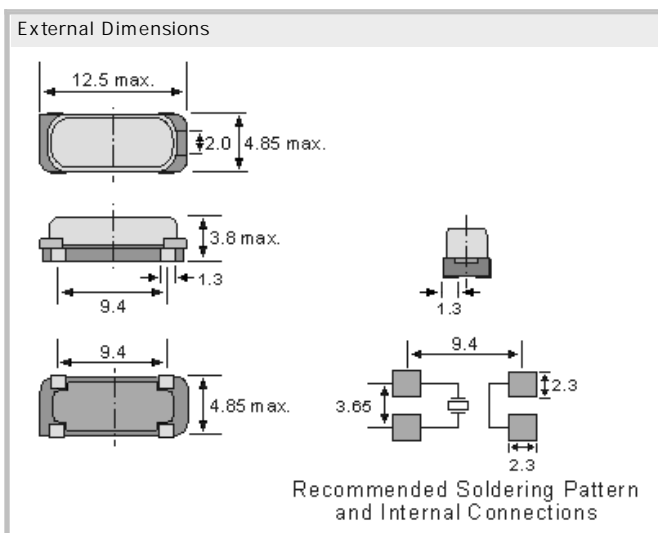




Quartz Crystal Unit HC49SSM4 (with 4 pads)
h = 3.8 mm

- Standard Quartz Crystal SMD with 4 pads
- Metal Case
- on Tape & Reel
- RoHS conform; Lead-free product
- Available in many standard and special frequencies



Specifications - Product No. A00800000BLFGPN46BC

Holder Type:	HC-49SSM4 with 4 pads	100% Test
Frequency:	8.000000 MHz	
Frequency Stability at 25°C:	± 50 ppm	
Temperature Stability:	± 100 ppm @ -40°C to +105°C	
Storage Temperature:	-50°C to +105°C	
Drive Level:	100µW (500µW max.)	
Load Capacitance (CL):	12 pF	
Shunt Capacitance (CO):	< 7pF	
Crystal Cut & Vibration Mode:	AT- cut, fundamental	
Equivalent Series Resistance:	50 Ohm max.	
Aging:	< ± 3ppm max. / year (max.)	

GERMANY:

COMTEC CRYSTALS GmbH · Sultenstrasse 12-14
8 5 5 8 6 P o i n g / G E R M A N Y
Phone +49 8121 778160 · Fax +49 8121 778177
e-Mail info@comtec-crystals.com
Internet: <http://www.comtec-crystals.com>
Subject to change without prior notice.



Technical Data and Graphics are all under
Copyright (c) of Comtec Crystals Group.

FRANCE:

COMTEC CRYSTALS SARL · 23, rue du Faucon
6 7 5 0 0 H a g u e n a u / F R A N C E
Phone +33 388 732162 · Fax +33 388 730118
e-Mail sales@comtec-crystals.com
Internet: <http://www.comtec-crystals.com>
Sous réserve de modifications.