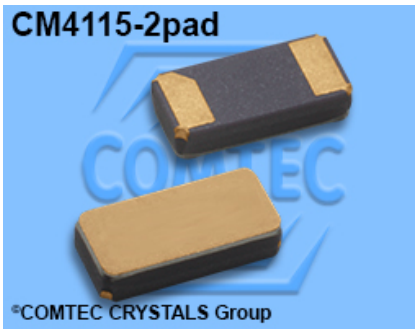
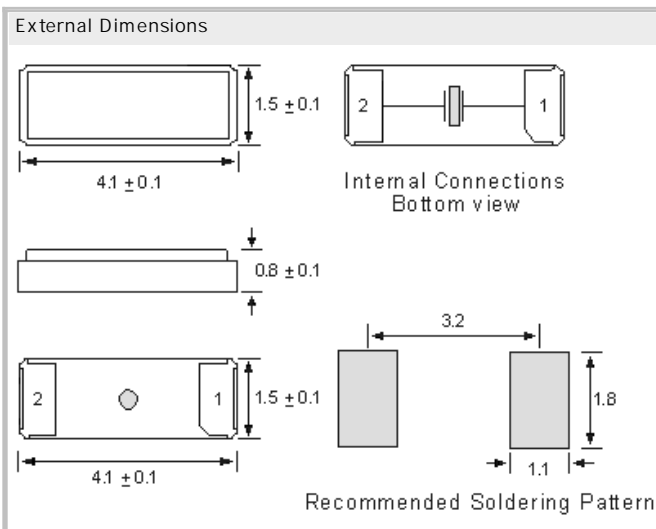


CM4115-2pad

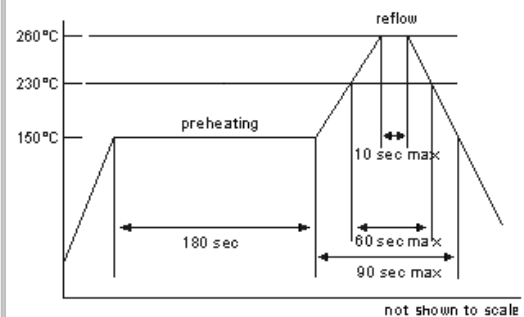


Quartz Crystal Unit CM4115-2pad

- SMD in ceramic case (4.1 x 1.5 x 0.8) mm
- on Tape & Reel
- RoHS conform; Lead-free product



Soldering Conditions



Specifications - Product No. A000032768COFRPN43EE

Holder Type:	CM4115-2pad
Frequency:	32.768000 kHz
Frequency Stability at 25°C:	± 20 ppm
Temperature Stability:	± 20 ppm @ -40°C to +85°C
Storage Temperature:	-55°C to +125°C
Drive Level:	0.5µW max.
Load Capacitance (CL):	7 pF
Shunt Capacitance (CO):	1.3pF typ.
Equivalent Series Resistance:	65 k Max.
Aging:	< ± 3ppm max. / year (max.)

GERMANY:

COMTEC CRYSTALS GmbH · Sultenstrasse 12-14
 8 5 5 8 6 P o i n g / G E R M A N Y
 Phone +49 8121 778160 · Fax +49 8121 778177
 e-Mail info@comtec-crystals.com
 Internet: <http://www.comtec-crystals.com>
 Subject to change without prior notice.



Technical Data and Graphics are all under
 Copyright (c) of Comtec Crystals Group.

FRANCE:

COMTEC CRYSTALS SARL · 23, rue du Faucon
 6 7 5 0 0 H a g u e n a u / F R A N C E
 Phone +33 388 732162 · Fax +33 388 730118
 e-Mail sales@comtec-crystals.com
 Internet: <http://www.comtec-crystals.com>
 Sous réserve de modifications.