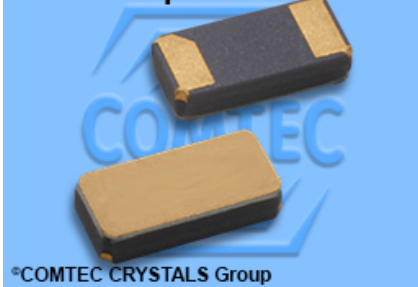
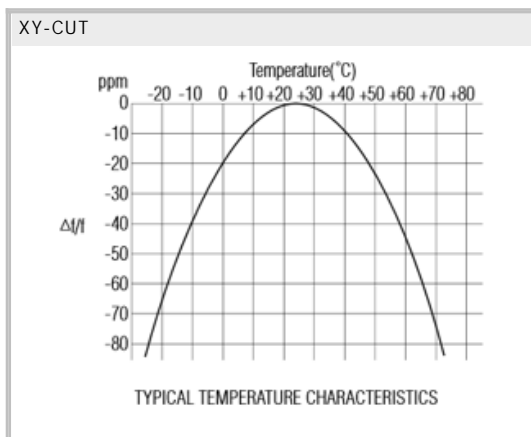
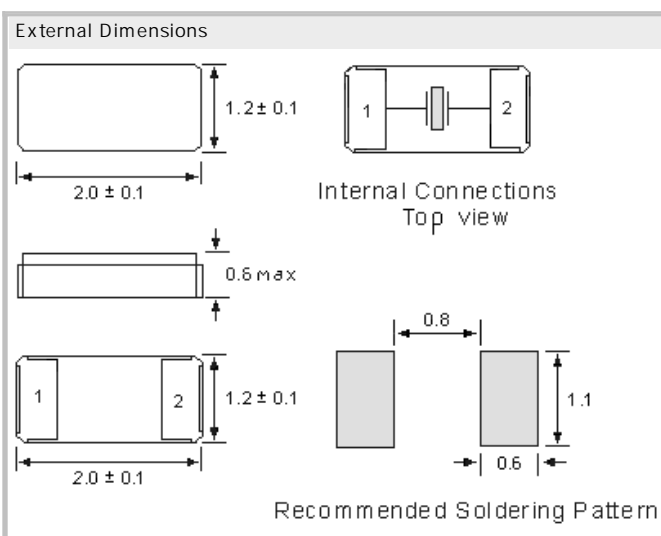


CM2012-2pad



Quartz Crystal Unit CM2012-2pad

- SMD in ceramic case (2.0 x 1.2 x 0.6) mm
- Available in many standard and special frequencies
- on Tape & Reel
- RoHS conform; Lead-free product



Specifications - Product No. A000032768BNFAPN43EE

| | |
|---------------------------------|-------------------------------------|
| Holder Type: | CM2012-2pad |
| Frequency: | 32.768000 kHz |
| Frequency Stability at 25°C: | ± 20 ppm |
| Temperature Stability: | ± 20 ppm @ -40°C to +85°C |
| Storage Temperature: | -50°C to +105°C |
| Drive Level: | 1.0µW max. |
| Temperature coefficient (beta): | -0.034ppm/°C ² , typical |
| Load Capacitance (CL): | 12.5 pF |
| Shunt Capacitance (CO): | 1.3 pF, typical |
| Equivalent Series Resistance: | 90kOhm max. |
| Aging: | < ± 5ppm max. / year (max.) |
| Reflow Condition: | 10 sec.max. at +250°C ± 10°C |

GERMANY:

COMTEC CRYSTALS GmbH · Sultenstrasse 12-14
8 5 5 8 6 P o i n g / G E R M A N Y
Phone +49 8121 778160 · Fax +49 8121 778177
e-Mail info@comtec-crystals.com
Internet: <http://www.comtec-crystals.com>
Subject to change without prior notice.



Technical Data and Graphics are all under
Copyright (c) of Comtec Crystals Group.

FRANCE:

COMTEC CRYSTALS SARL · 23, rue du Faucon
6 7 5 0 0 H a g u e n a u / F R A N C E
Phone +33 388 732162 · Fax +33 388 730118
e-Mail sales@comtec-crystals.com
Internet: <http://www.comtec-crystals.com>
sous réserve de modifications.